

QVD

HORIZONTAL, CENTRIFUGAL, VOLUTE-TYPE PUMPS WITH DUO-FLOW IMPELLER



APPLICATION

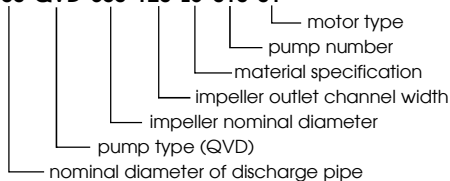
- primary and secondary water stations
- booster stations to increase the pressure in the water systems
- water supply systems in a wide range of industrial branches
- pumping, circulation and cooling circuits
- agriculture as pumping stations for large-area irrigation systems

WORKING CONDITIONS

- drinking or utility water
- medium temperature up to +60°C
- pH 6 - 11

TYPE IDENTIFICATION

500-QVD-630-120-LU-010-01



MATERIAL SPECIFICATION

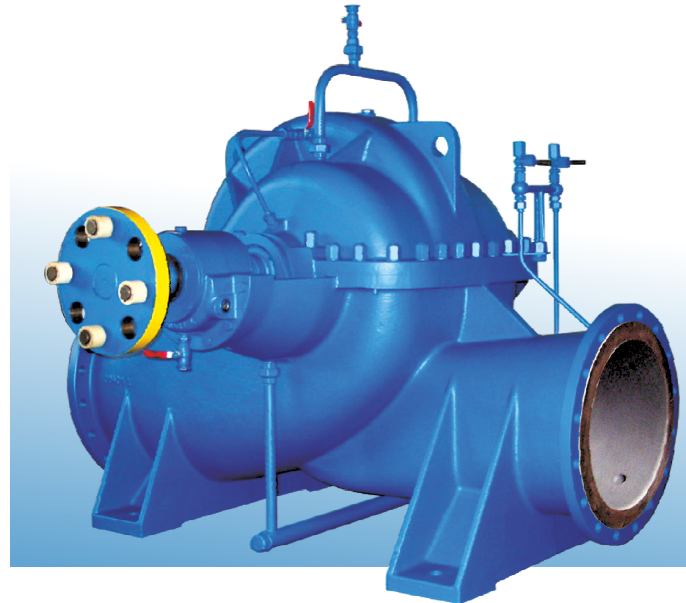
Part name	LU
pump body - bottom end	EN-GJL-250
pump body - upper end	EN-GJL-250
bearing body	EN-GJS-500
impeller	X20Cr14 (DIN)
body seal ring	X20Cr14 (DIN)
impeller seal ring	X20Cr14 (DIN)
throttle bushing	X20Cr14 (DIN)
shaft sleeve	X20Cr14 (DIN)
packing bushing	X20Cr14 (DIN)
shaft	1.0503
base subframe	1.0570

SEAL DESIGN

- hydraulic area tightness on both ends achieved by means of shaft packing
 - non- flooded packing (for pure water)
 - flooded from foreign source (for polluted water)
- types of seals
 - soft cord packing
 - single mechanical seal

MOTORS

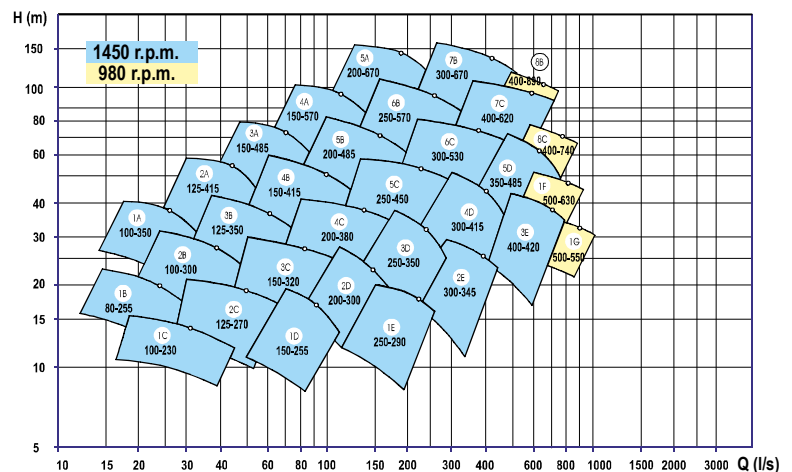
- foot-mounted electric motor drive
- diesel engine drive
- driving force transmitted using a flexible coupling
 - flexible coupling without a spacer
 - flexible coupling with a spacer



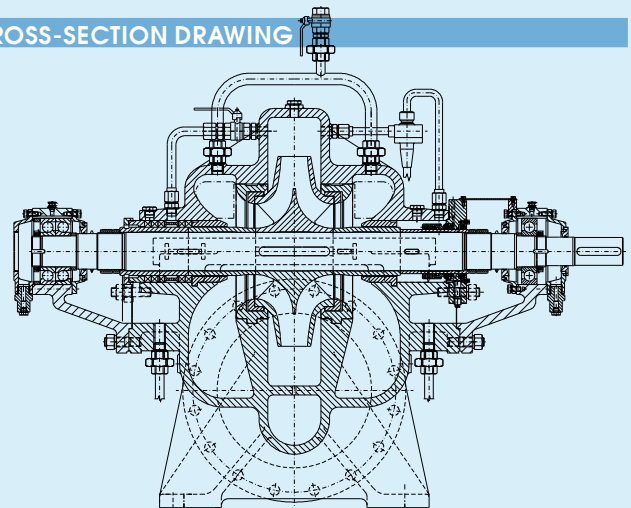
QVD

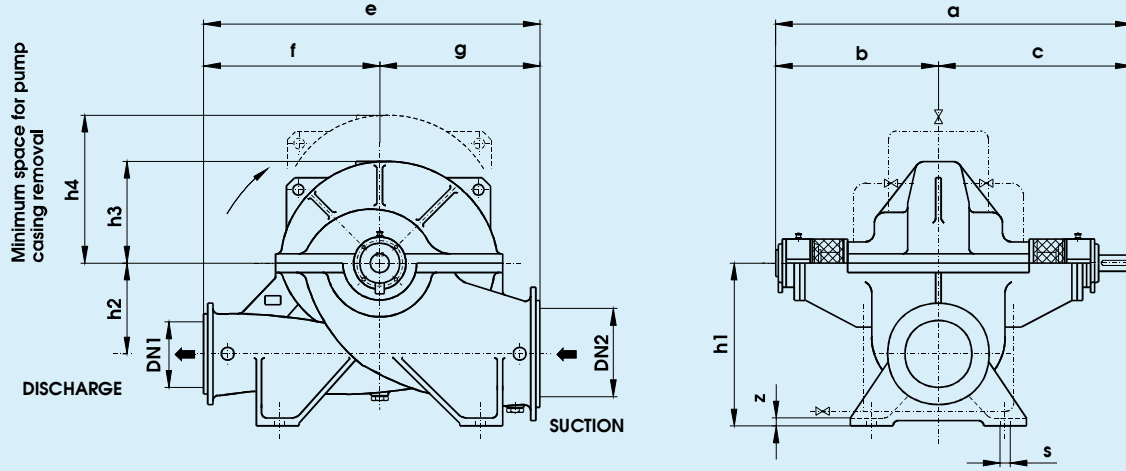
WORKING AREA

PUMP SIZE	SHAFT SPEED (r.p.m.)	FLOW Q (l/s)	DELIVERY HEAD H (m)	TEMPERATURE MAX. (°C)
from 80-QVD-255 500-QVD-630	580 to 1450	from 15 to 1000	from 10 to 150	60



CROSS-SECTION DRAWING



BASIC DIMENSIONS


Size	Name Type	Discharge pipe				Pump Dimensions (mm)														kg
		DN1	DN2	PN1	PN2	a	b	c	e	f	g	h1	h2	h3	h4	s	z	l		
1A	100-QVD-350-25	100	150	10	10	960	430	530	600	300	300	380	215	280	550	23	25	85	330	
2A	125-QVD-415-30	125	200	10	10	1100	500	600	700	350	350	450	255	310	600	27	25	110	460	
3A	150-QVD-485-35	150	250	16	10	1160	530	630	900	450	450	530	300	340	600	27	25	110	680	
4A	150-QVD-570-40	150	250	16	10	1370	620	750	1150	500	650	560	340	370	750	27	30	135	760	
5A	200-QVD-670-46	200	300	25	10	1670	750	920	1350	600	750	660	400	460	900	30	35	165	1100	
1B	80-QVD-255-23	80	125	10	10	820	360	460	650	350	300	300	145	210	450	18	22	85	240	
2B	100-QVD-300-27	100	150	10	10	940	420	520	750	400	350	340	170	250	500	23	25	85	360	
3B	125-QVD-350-31	125	200	10	10	1060	480	580	850	450	400	400	200	280	600	27	25	105	420	
4B	150-QVD-415-37	150	250	16	10	1095	500	595	1050	500	550	500	275	300	600	27	25	105	550	
5B	200-QVD-485-44	200	300	16	10	1205	550	655	1100	600	500	540	280	345	700	27	25	110	850	
6B	250-QVD-570-50	250	350	16	10	1390	630	760	1300	700	600	600	325	400	800	27	30	135	1080	
7B	300-QVD-670-58	300	500	25	10	1885	840	1045	1650	800	850	810	430	460	900	33	35	170	1700	
1C	100-QVD-230-30	100	150	10	10	900	400	500	600	300	300	320	160	190	400	18	22	85	230	
2C	125-QVD-270-30	125	200	10	10	960	435	525	750	350	400	400	190	215	450	23	25	85	340	
3C	150-QVD-320-42	150	250	10	10	1135	515	620	850	400	450	500	220	245	500	23	25	110	500	
4C	200-QVD-380-52	200	300	10	10	1205	565	670	1050	500	550	520	265	290	600	27	25	110	730	
5C	250-QVD-450-58	250	350	10	10	1380	635	745	1250	600	600	580	315	340	650	27	30	110	1030	
6C	300-QVD-530-72	300	400	25	10	1775	805	970	1400	700	700	680	370	430	800	33	35	160	1480	
7C	400-QVD-620-80	400	500	16	10	1955	880	1075	1600	800	800	800	430	455	850	39	40	170	2100	
1D	150-QVD-255-56	150	250	10	10	1000	450	550	850	400	450	430	215	240	500	23	25	105	400	
2D	200-QVD-300-65	200	300	10	10	1145	525	620	1050	500	550	520	270	280	550	27	25	105	650	
3D	250-QVD-350-72	250	350	10	10	1250	570	680	1230	600	630	600	315	330	600	27	30	110	910	
4D	300-QVD-415-86	300	400	10	10	1340	635	755	1400	700	700	630	320	380	700	33	35	130	1360	
5D	350-QVD-485-102	350	500	16	10	1835	835	1000	1650	800	850	810	430	455	800	33	35	160	2040	
1E	250-QVD-290-90	250	350	10	10	1210	550	660	1100	550	550	560	260	245	500	27	25	105	850	
2E	300-QVD-345-108	300	500	10	10	1415	660	755	1300	650	650	730	350	355	650	33	35	100	1300	
3E	400-QVD-420-132	400	600	10	10	1855	845	1010	1650	800	850	860	420	440	750	33	35	178	2200	
8B	400-QVD-890-77	400	600	25	10	2200	950	1250	2200	1100	1100	940	500	600	1200	40	50	205	4700	
8C	400-QVD-740-99	400	600	16	10	2230	1000	1230	1900	950	950	960	520	560	1100	40	45	205	4300	
1F	500-QVD-625-120	500	600	10	10	2200	985	1215	2200	1100	1100	975	500	540	1000	40	45	215	4620	
1G	500-QVD-550-148	500	600	10	10	2020	915	1105	2150	1050	1100	940	500	530	950	40	45	170	4100	